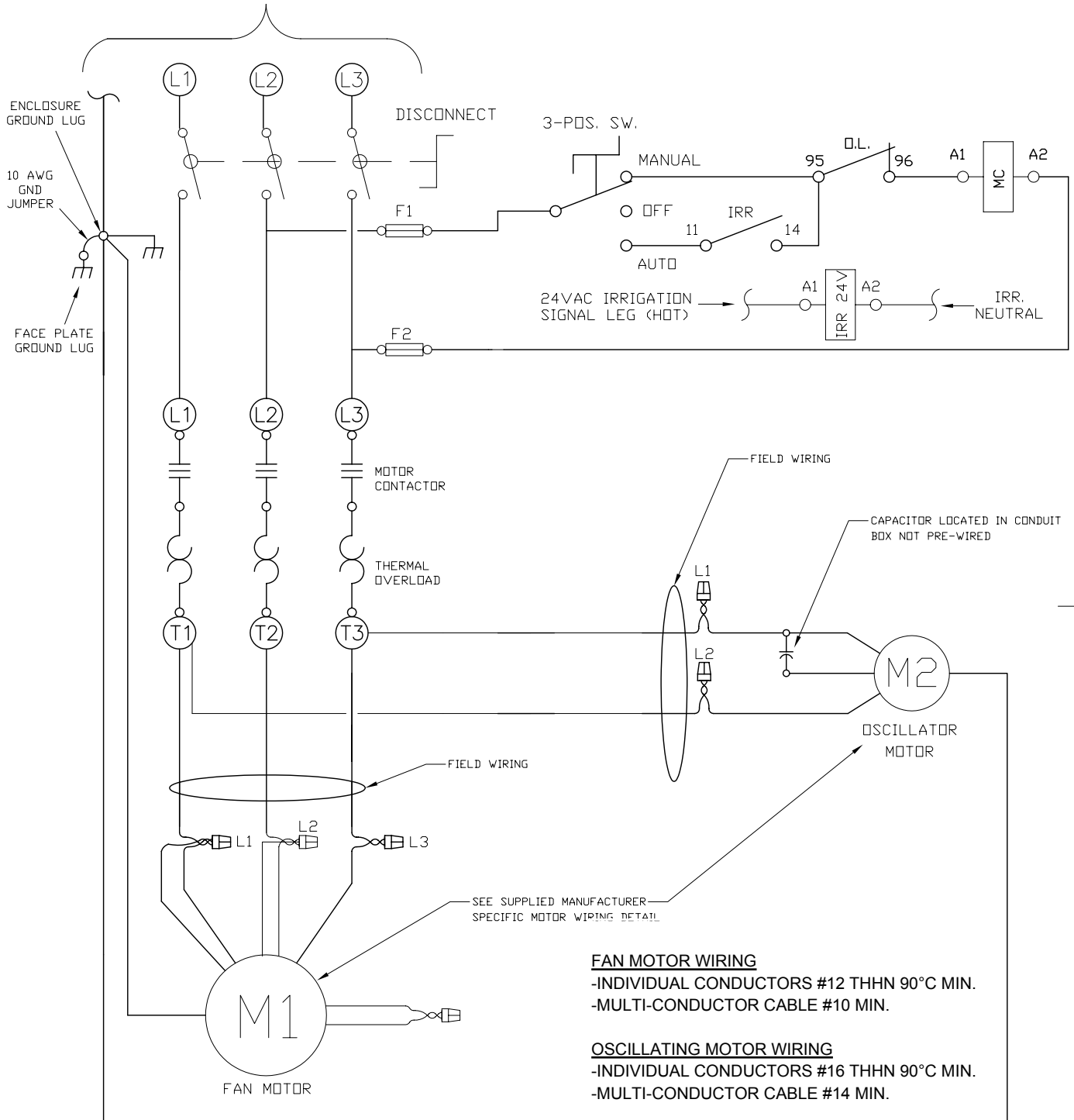


208-230,460VAC, 3 ϕ , 4-WIRE
POWER SUPPLY



FAN MOTOR WIRING

- INDIVIDUAL CONDUCTORS #12 THHN 90°C MIN.
- MULTI-CONDUCTOR CABLE #10 MIN.

OSCILLATING MOTOR WIRING

- INDIVIDUAL CONDUCTORS #16 THHN 90°C MIN.
- MULTI-CONDUCTOR CABLE #14 MIN.

DRAWN BY: H.MURPHY	UNLESS OTHERWISE SPECIFIED MAXIMUM TOLERANCES ARE:
DATE: 12/08/06	FRACTIONAL
REVISED BY: H.MURPHY	± 1/8
DATE: 3/11/07	DECIMAL
PRIMARY UNITS: ----	.XX ± 0.1
SCALE: N/A	.XXX ± 0.005
QTY REQ: (X)	
MAT'L: ----	
FINISH: ----	

UNLESS OTHERWISE SPECIFIED MAXIMUM TOLERANCES ARE:
FRACTIONAL
± 1/8
DECIMAL
.XX ± 0.1
.XXX ± 0.005



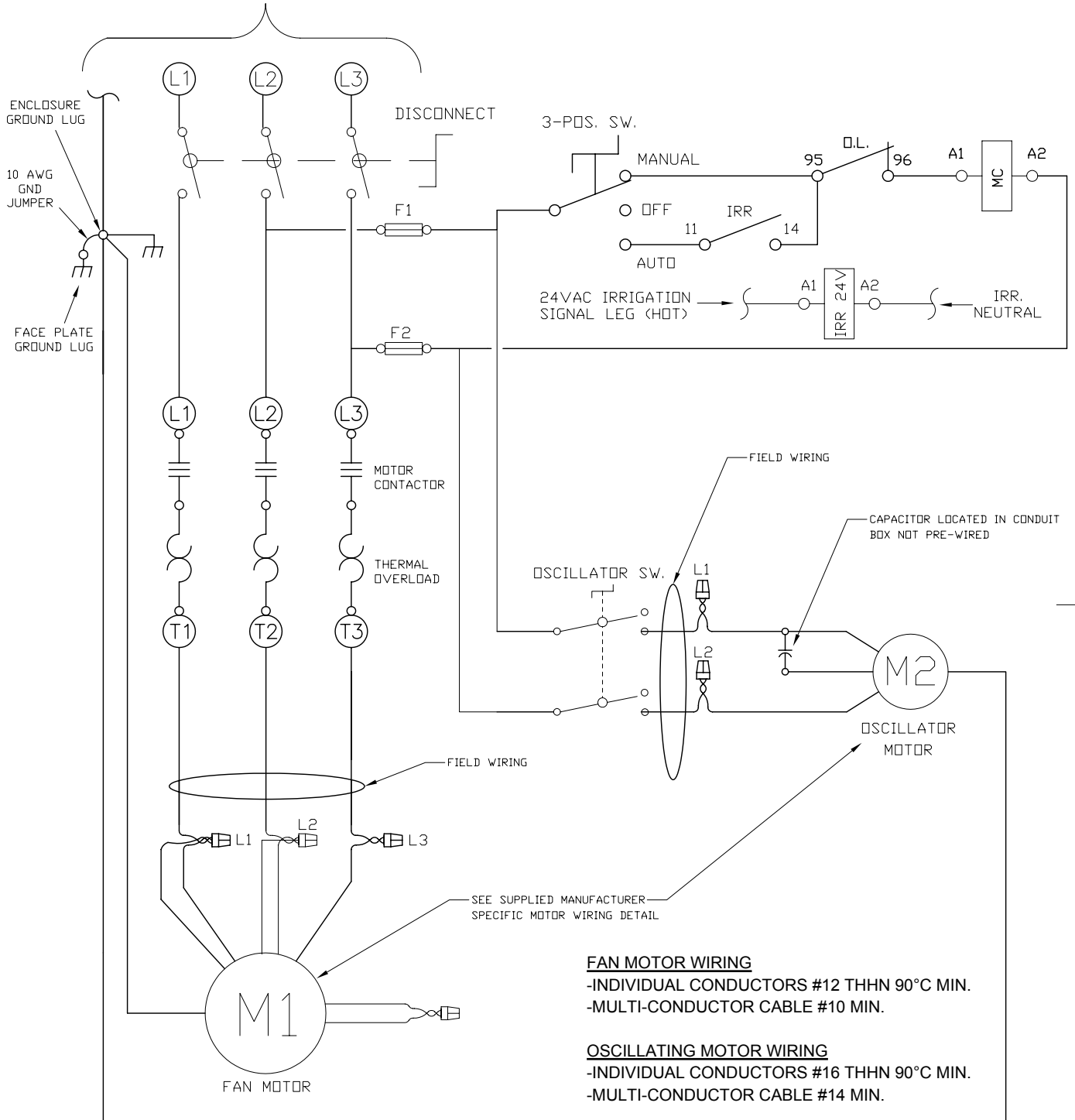
510 Bettis Academy Rd
Graniteville, SC 29829
(803) 641-6663

Title: 3 ϕ FAN CONTROL WIRING, STD.

Dwg No. ----

The information contained in this drawing is the sole property of SubAir Systems, LLC. Any reproduction in part or as a whole without the written permission of SubAir Systems, LLC is prohibited.

208-230,460VAC, 3 ϕ , 4-WIRE
POWER SUPPLY



FAN MOTOR WIRING
 -INDIVIDUAL CONDUCTORS #12 THHN 90°C MIN.
 -MULTI-CONDUCTOR CABLE #10 MIN.

OSCILLATING MOTOR WIRING
 -INDIVIDUAL CONDUCTORS #16 THHN 90°C MIN.
 -MULTI-CONDUCTOR CABLE #14 MIN.

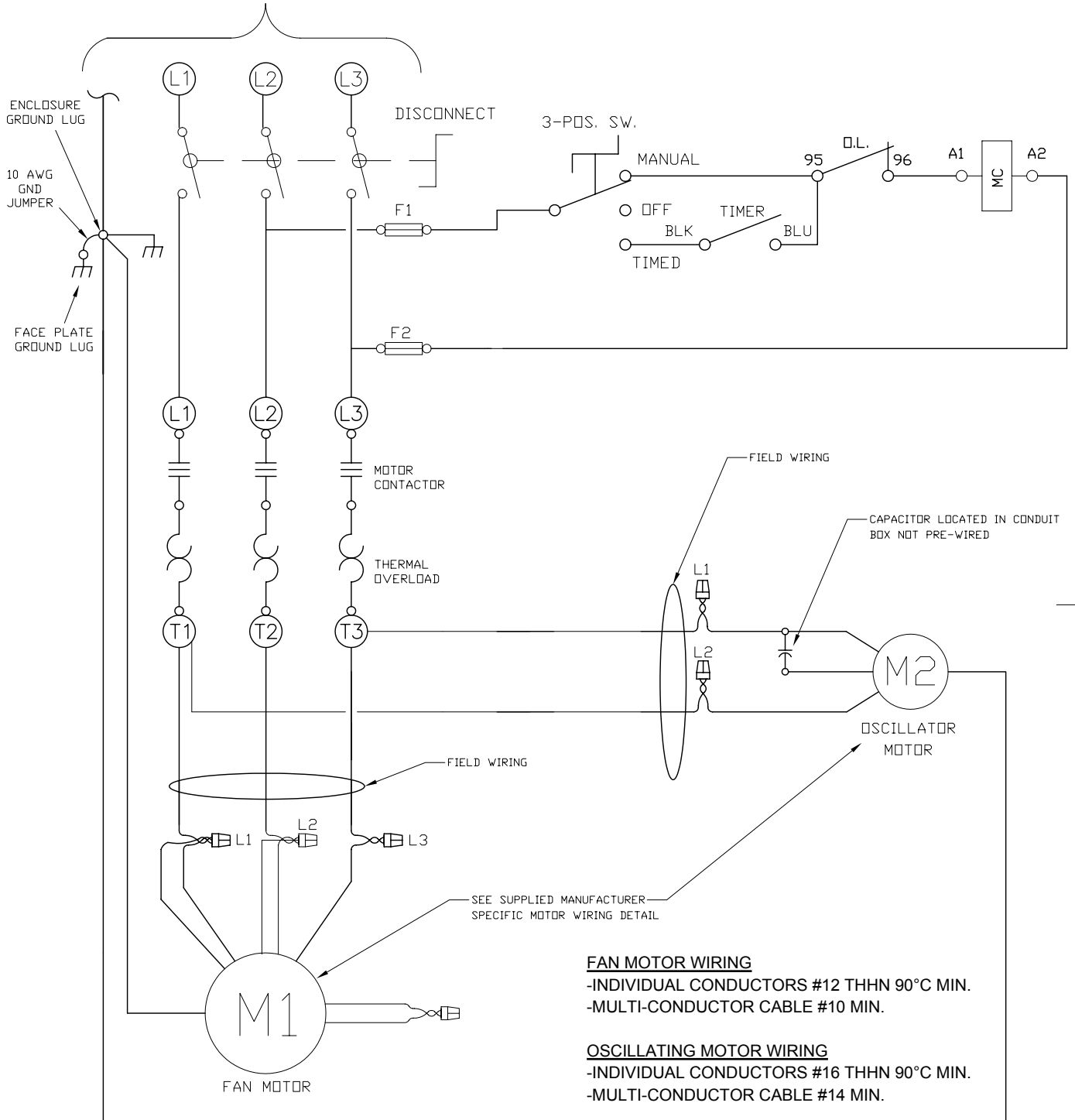
DRAWN BY: H.MURPHY	UNLESS OTHERWISE SPECIFIED MAXIMUM TOLERANCES ARE:
DATE: 12/08/06	
REVISED BY: H.MURPHY	FRACTIONAL
DATE: 3/11/07	± 1/8
PRIMARY UNITS: ----	DECIMAL
SCALE: N/A	.XX ± .01
QTY REQ: (X)	.XXX ± .005
MAT'L: ----	
FINISH: ----	



Title: 3 ϕ FAN CONTROL WIRING, W/OSC.
 Dwg No. ----

The information contained in this drawing is the sole property of SubAir Systems, LLC. Any reproduction in part or as a whole without the written permission of SubAir Systems, LLC is prohibited.

208-230,460VAC, 3 ϕ , 4-WIRE
POWER SUPPLY



FAN MOTOR WIRING

- INDIVIDUAL CONDUCTORS #12 THHN 90°C MIN.
- MULTI-CONDUCTOR CABLE #10 MIN.

OSCILLATING MOTOR WIRING

- INDIVIDUAL CONDUCTORS #16 THHN 90°C MIN.
- MULTI-CONDUCTOR CABLE #14 MIN.

DRAWN BY: H.MURPHY	UNLESS OTHERWISE SPECIFIED MAXIMUM TOLERANCES ARE:
DATE: 12/08/06	
REVISED BY: H.MURPHY	FRACTIONAL
DATE: 3/11/07	± 1/8
PRIMARY UNITS: ----	DECIMAL
SCALE: N/A	.XX ± .01
QTY REQ: (X)	.XXX ± .005
MAT'L: ----	
FINISH: ----	



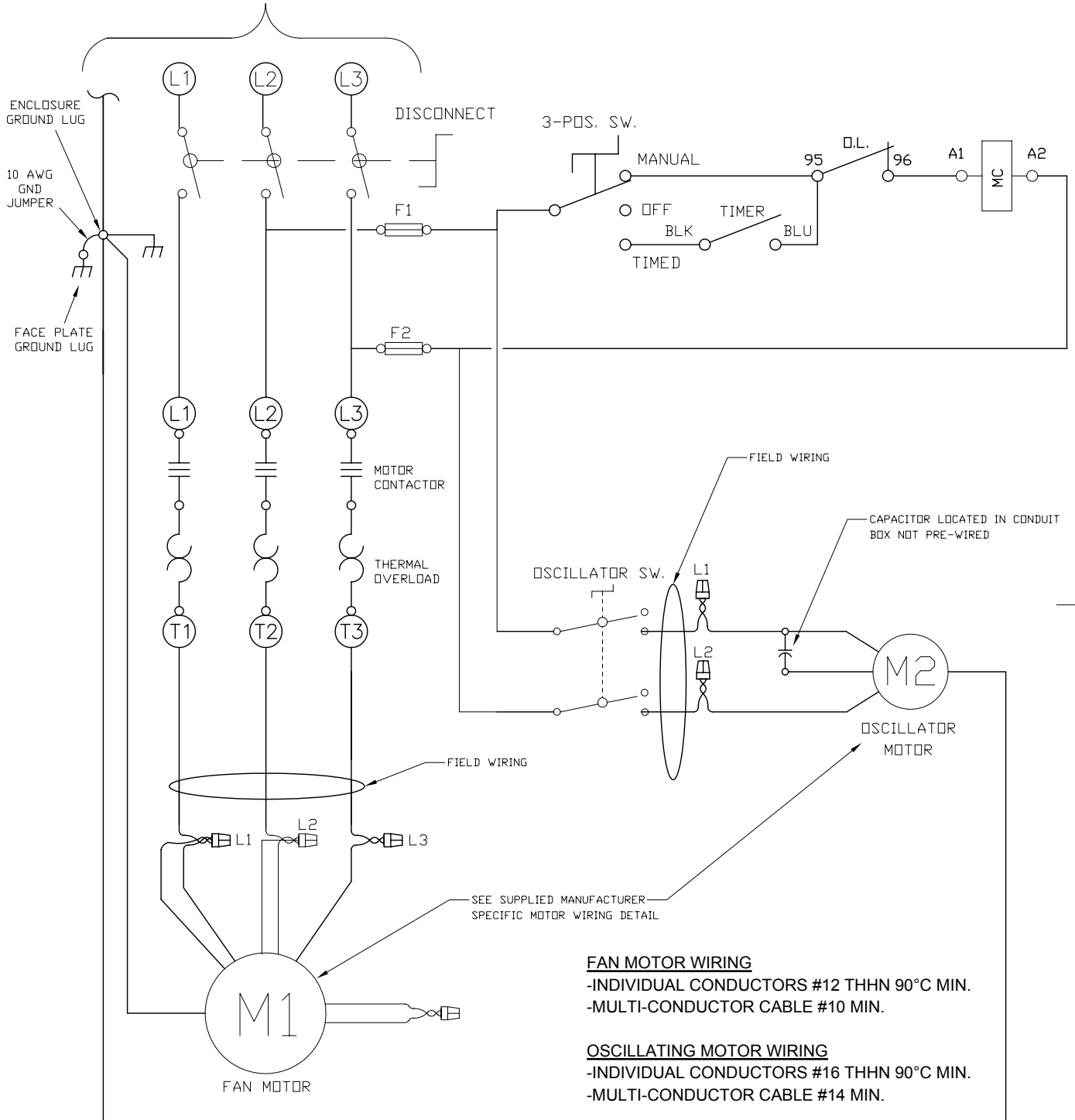
510 Bettis Academy Rd
Graniteville, SC 29829
(803) 641-6663

Title: 3 ϕ FAN CONTROL WIRING, W/TMR.

Dwg No. ----

The information contained in this drawing is the sole property of SubAir Systems, LLC. Any reproduction in part or as a whole without the written permission of SubAir Systems, LLC is prohibited.

208-230,460VAC, 3 ϕ , 4-WIRE
POWER SUPPLY



FAN MOTOR WIRING

- INDIVIDUAL CONDUCTORS #12 THHN 90°C MIN.
- MULTI-CONDUCTOR CABLE #10 MIN.

OSCILLATING MOTOR WIRING

- INDIVIDUAL CONDUCTORS #16 THHN 90°C MIN.
- MULTI-CONDUCTOR CABLE #14 MIN.

DRAWN BY:	H.MURPHY
DATE:	12/08/06
REVISED BY:	H.MURPHY
DATE:	3/11/07
PRIMARY UNITS:	----
SCALE:	N/A
QTY REQ:	(X)
MAT'L:	----
FINISH:	----

UNLESS OTHERWISE SPECIFIED MAXIMUM TOLERANCES ARE:
 FRACTIONAL
 ± 1/8
 DECIMAL
 .XX ± .01
 .XXX ± .005

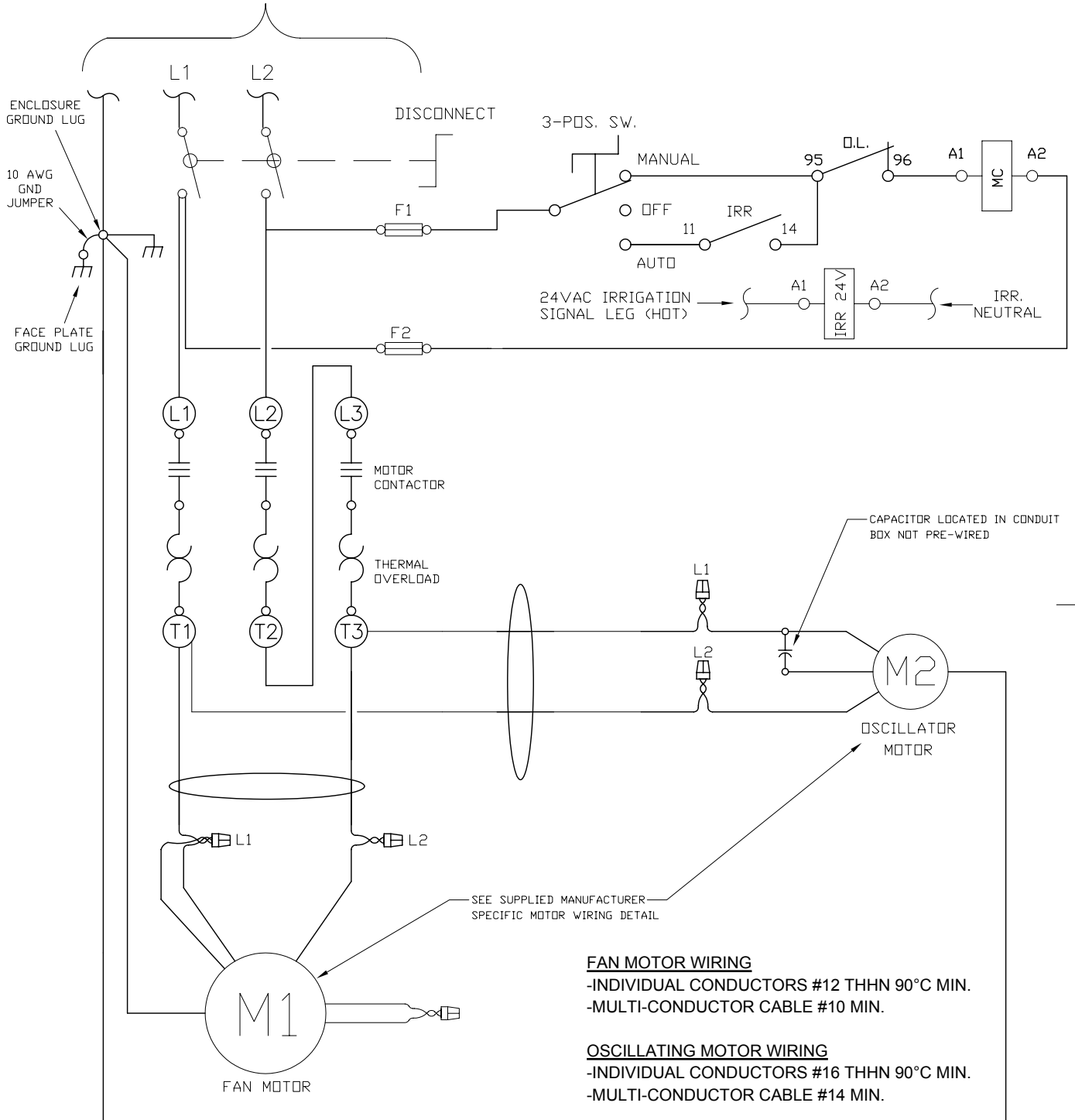


510 Bettis Academy Rd
 Graniteville, SC 29829
 (803) 641-6663

Title:	3 ϕ FAN CONTROL WIRING, W/TMR & OSC.
Dwg No.	----

The information contained in this drawing is the sole property of SubAir Systems, LLC. Any reproduction in part or as a whole without the written permission of SubAir Systems, LLC is prohibited.

230 VAC 1 ϕ , 3-WIRE
POWER SUPPLY



FAN MOTOR WIRING

- INDIVIDUAL CONDUCTORS #12 THHN 90°C MIN.
- MULTI-CONDUCTOR CABLE #10 MIN.

OSCILLATING MOTOR WIRING

- INDIVIDUAL CONDUCTORS #16 THHN 90°C MIN.
- MULTI-CONDUCTOR CABLE #14 MIN.

DRAWN BY: H.MURPHY	UNLESS OTHERWISE SPECIFIED MAXIMUM TOLERANCES ARE:
DATE: 12/08/06	
REVISED BY: H.MURPHY	FRACTIONAL
DATE: 3/11/07	± 1/8
PRIMARY UNITS: ----	DECIMAL
SCALE: N/A	.XX ± .01
QTY REQ: (X)	.XXX ± .005
MAT'L: ----	
FINISH: ----	



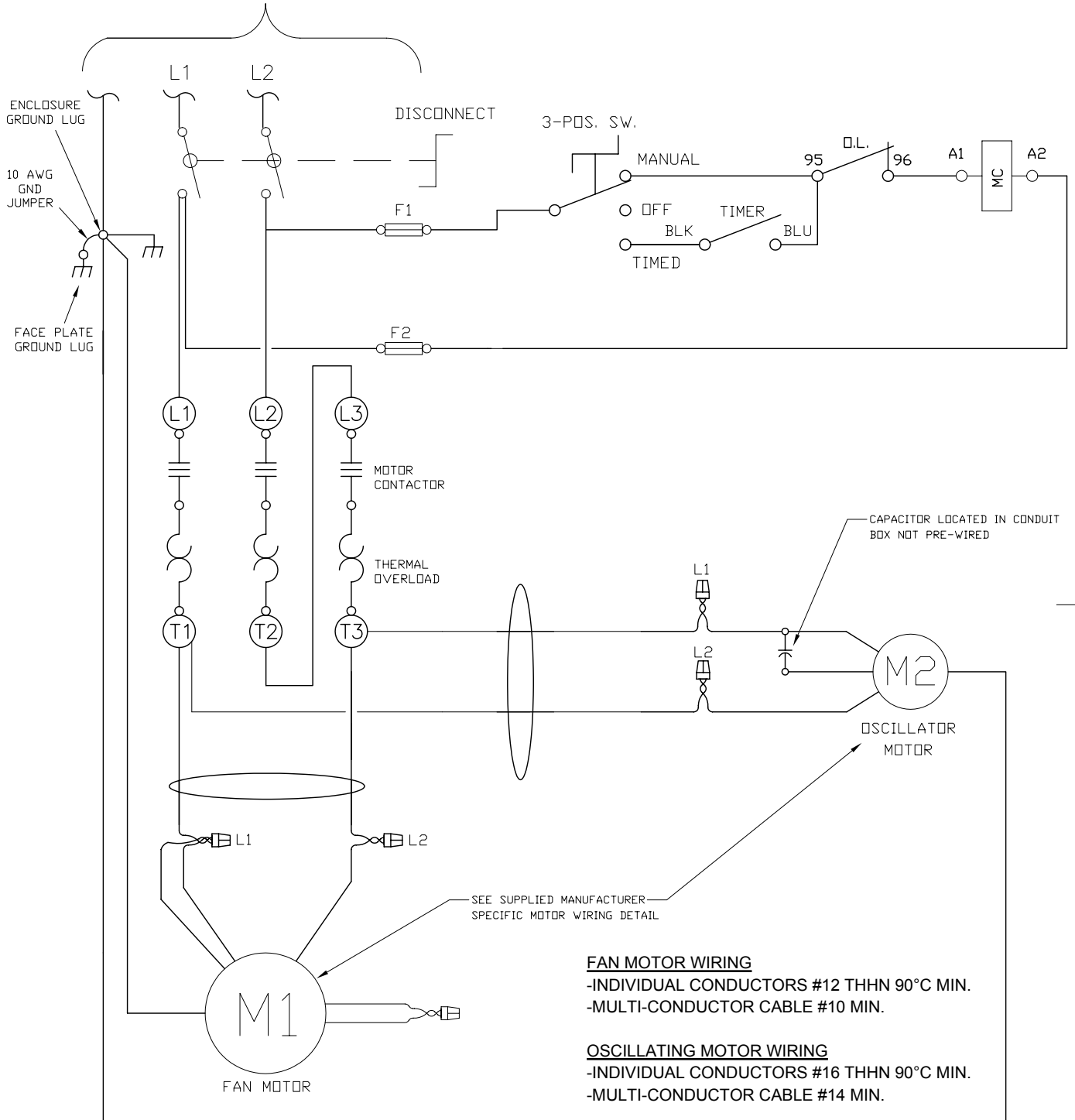
510 Bettis Academy Rd
Graniteville, SC 29829
(803) 641-6663

Title: 1 ϕ FAN CONTROL WIRING, STD.

Dwg No. ----

The information contained in this drawing is the sole property of SubAir Systems, LLC. Any reproduction in part or as a whole without the written permission of SubAir Systems, LLC is prohibited.

230 VAC 1 ϕ , 3-WIRE
POWER SUPPLY



FAN MOTOR WIRING

- INDIVIDUAL CONDUCTORS #12 THHN 90°C MIN.
- MULTI-CONDUCTOR CABLE #10 MIN.

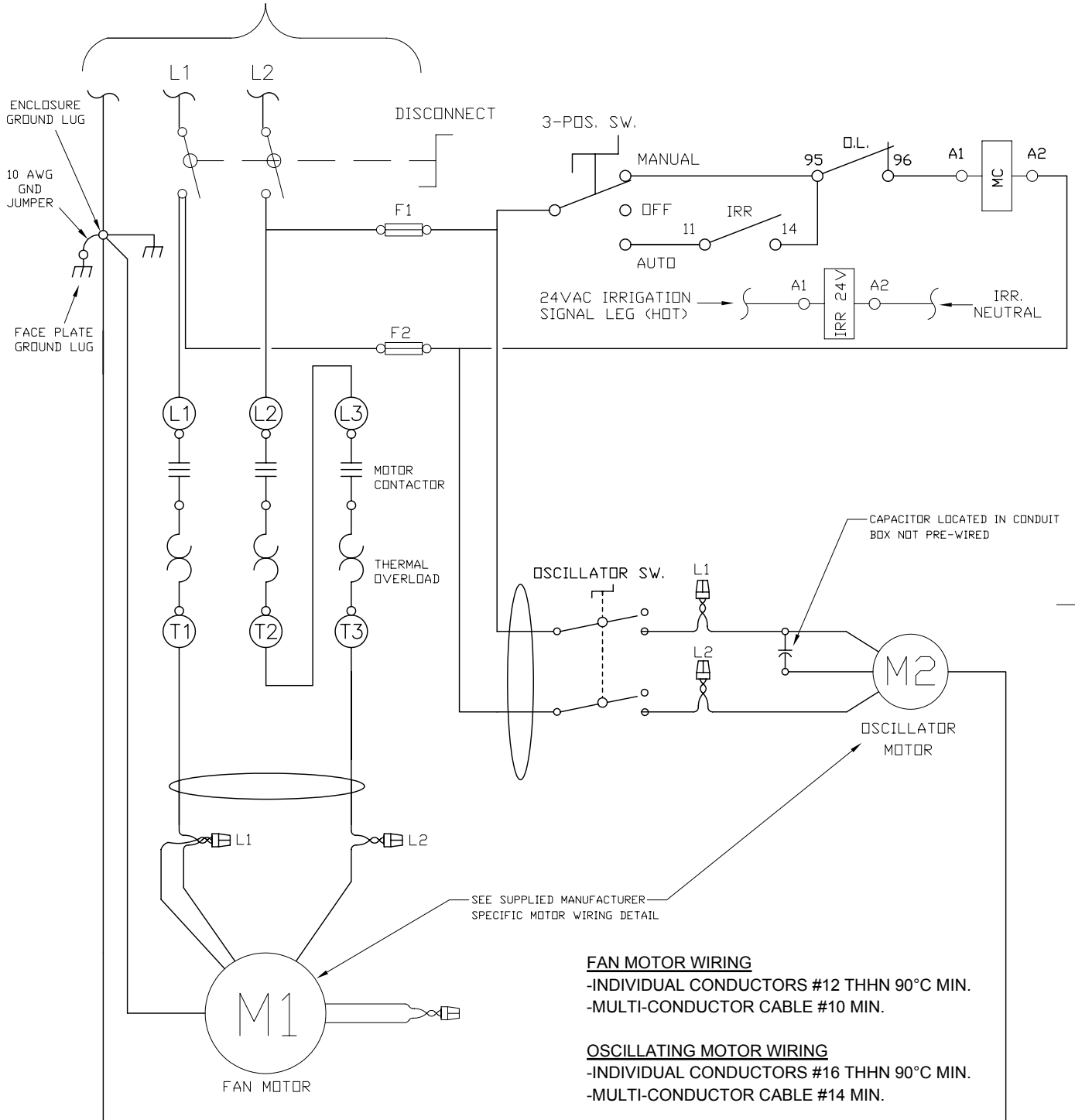
OSCILLATING MOTOR WIRING

- INDIVIDUAL CONDUCTORS #16 THHN 90°C MIN.
- MULTI-CONDUCTOR CABLE #14 MIN.

DRAWN BY: H.MURPHY	UNLESS OTHERWISE SPECIFIED MAXIMUM TOLERANCES ARE:	SubAir.
DATE: 12/08/06		
REVISED BY: H.MURPHY	FRACTIONAL	510 Bettis Academy Rd Graniteville, SC 29829 (803) 641-6663
DATE: 3/11/07	± 1/8	
PRIMARY UNITS: ----	DECIMAL	Title:
SCALE: N/A	.XX ± .01	1 ϕ FAN CONTROL WIRING, W/TMR.
QTY REQ: (X)	.XXX ± .005	Dwg No. ----
MAT'L: ----		
FINISH: ----		

The information contained in this drawing is the sole property of SubAir Systems, LLC. Any reproduction in part or as a whole without the written permission of SubAir Systems, LLC is prohibited.

230 VAC 1 ϕ , 3-WIRE
POWER SUPPLY



FAN MOTOR WIRING

- INDIVIDUAL CONDUCTORS #12 THHN 90°C MIN.
- MULTI-CONDUCTOR CABLE #10 MIN.

OSCILLATING MOTOR WIRING

- INDIVIDUAL CONDUCTORS #16 THHN 90°C MIN.
- MULTI-CONDUCTOR CABLE #14 MIN.

DRAWN BY:	H.MURPHY
DATE:	12/08/06
REVISED BY:	H.MURPHY
DATE:	3/11/07
PRIMARY UNITS:	----
SCALE:	N/A
QTY REQ:	(X)
MAT'L:	----
FINISH:	----

UNLESS OTHERWISE SPECIFIED MAXIMUM TOLERANCES ARE:
 FRACTIONAL
 ± 1/8
 DECIMAL
 .XX ± .01
 .XXX ± .005

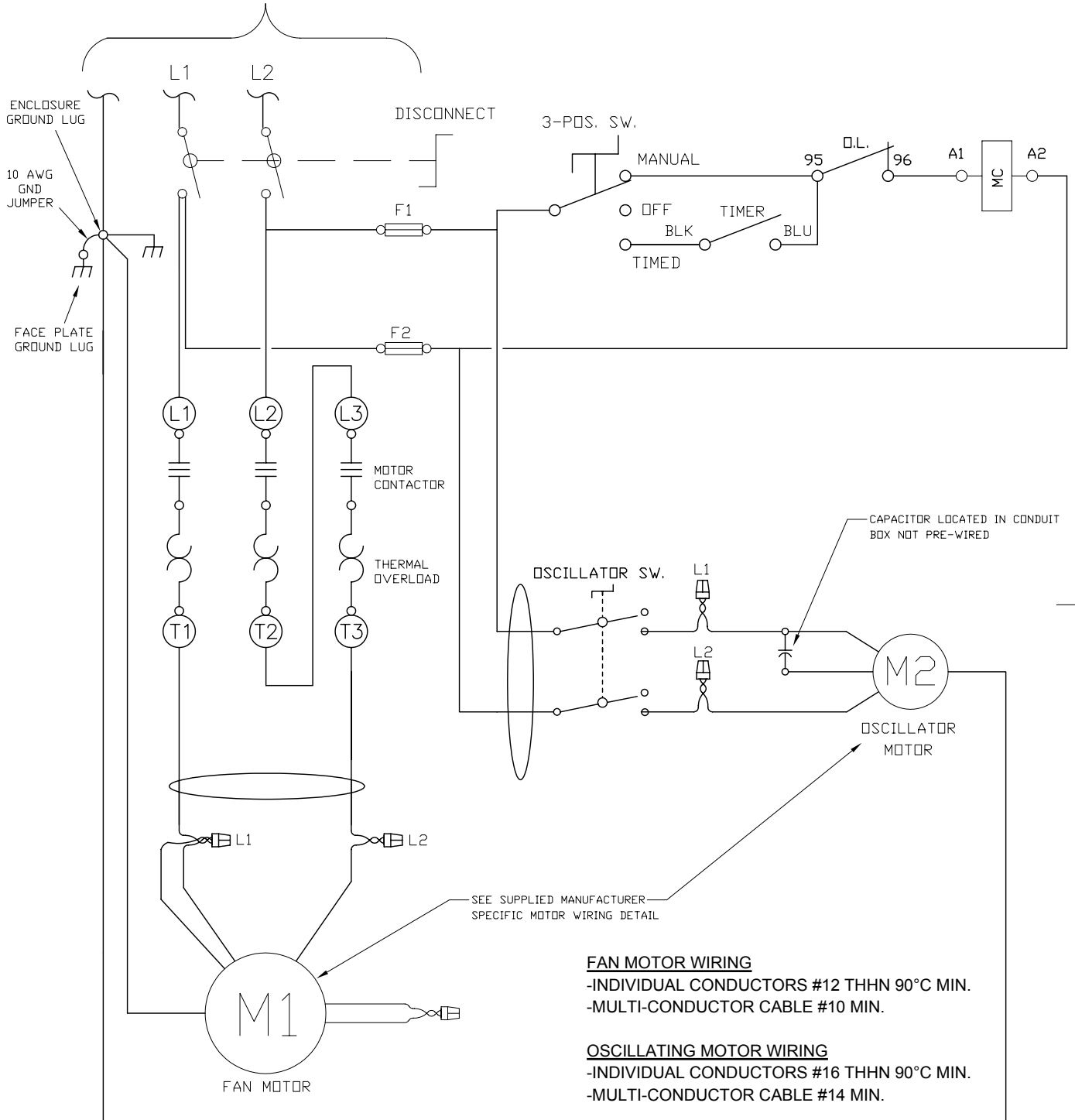


510 Bettis Academy Rd
 Graniteville, SC 29829
 (803) 641-6663

Title:	1 ϕ FAN CONTROL WIRING, W/OSC.
Des. No.	----

The information contained in this drawing is the sole property of SubAir Systems, LLC. Any reproduction in part or as a whole without the written permission of SubAir Systems, LLC is prohibited.

230 VAC 1 ϕ , 3-WIRE
POWER SUPPLY



FAN MOTOR WIRING

- INDIVIDUAL CONDUCTORS #12 THHN 90°C MIN.
- MULTI-CONDUCTOR CABLE #10 MIN.

OSCILLATING MOTOR WIRING

- INDIVIDUAL CONDUCTORS #16 THHN 90°C MIN.
- MULTI-CONDUCTOR CABLE #14 MIN.

DRAWN BY:	H.MURPHY
DATE:	12/08/06
REVISED BY:	H.MURPHY
DATE:	3/11/07
PRIMARY UNITS:	----
SCALE:	N/A
QTY REQ:	(X)
MAT'L:	----
FINISH:	----

UNLESS OTHERWISE SPECIFIED MAXIMUM TOLERANCES ARE:
FRACTIONAL
± 1/8
DECIMAL
.XX ± .01
.XXX ± .005

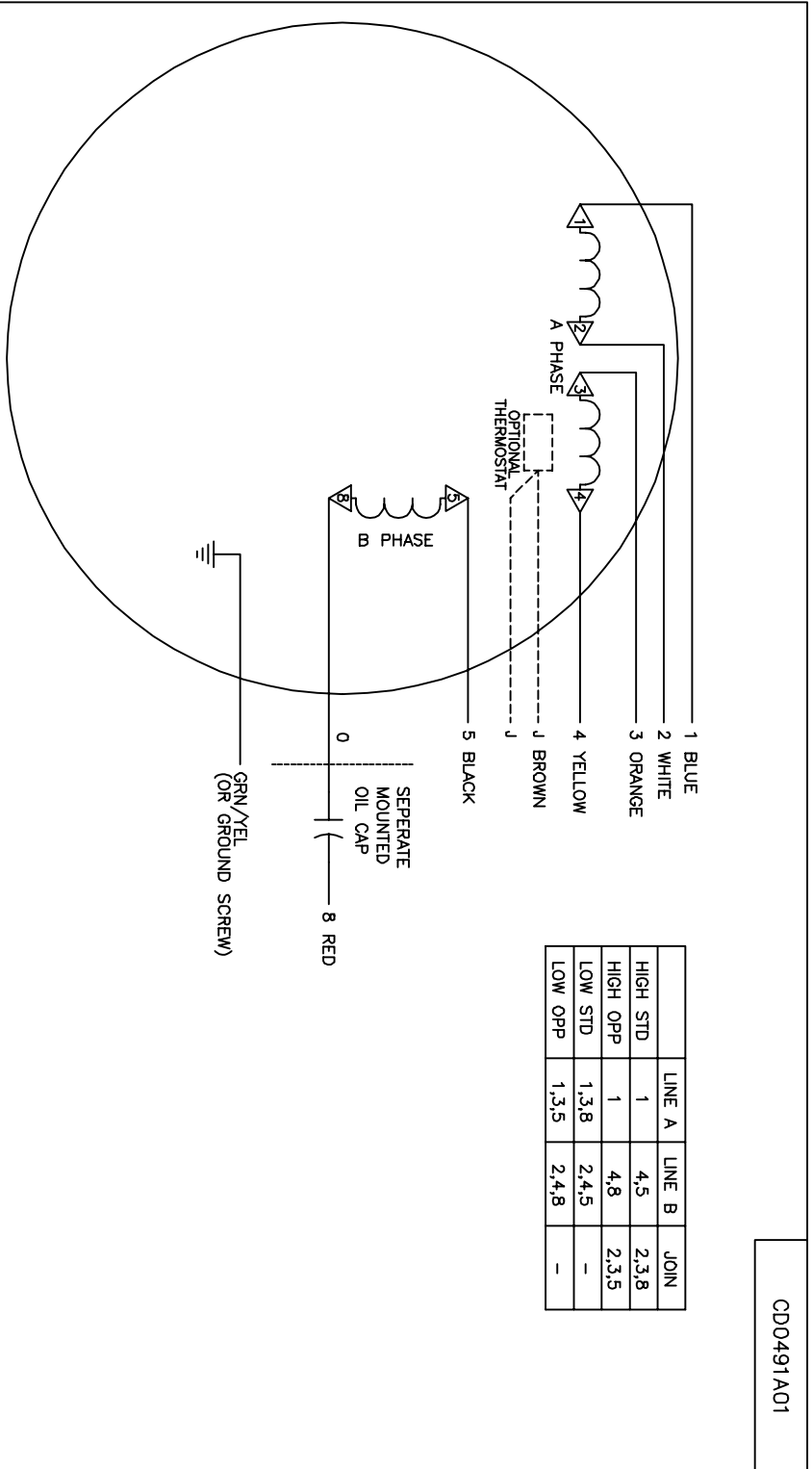



510 Bettis Academy Rd
Graniteville, SC 29829
(803) 641-6663

Title:	1 ϕ FAN CONTROL WIRING, W/TMR & OSC.
Dwg No.	----

CD0491A01

	LINE A	LINE B	JOIN
HIGH STD	1	4,5	2,3,8
HIGH OPP	1	4,8	2,3,5
LOW STD	1,3,8	2,4,5	-
LOW OPP	1,3,5	2,4,8	-

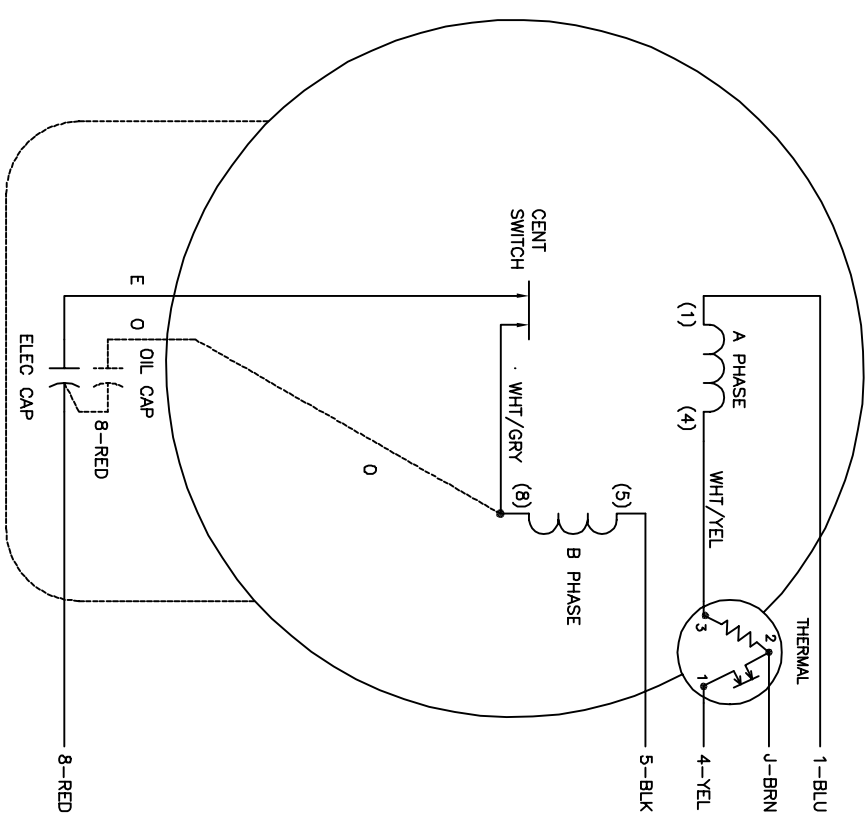


- NOTES:
1. STANDARD ROTATION IS CCW VIEWING LEAD END.
 2. OPTIONAL THERMOSTAT IS PROVIDED WHEN SPECIFIED.
 3. MULTIPLE CAPACITORS ARE CONNECTED IN PARALLEL UNLESS OTHERWISE SPECIFIED.
 4. LEAD COLORS ARE OPTIONAL. LEADS MUST ALWAYS BE NUMBERED AS SHOWN.
 5.  = MAGNET WIRE COIL END WITH I.D. NUMBER.

REV. DESC: CHANGE TO CLARKSVILLE STANDARD		TDR: 000000384488		BALDOR ELECTRIC Co.	
REV. LTR: D	VERSION: 03	REVISED: 13:48:58 04/20/2006	BY: CKANTTO		
10V16P00D	FILE: \CKA\00005\827	MTL: -		TYPE C, DV, REV, 6 LD, SEP CAP, CK	

CD0491A01

CD0152



	LINE A	LINE B	JOIN
STD	1,8	4	J,5
OPP	1,5	4	J,8

- NOTES:
1. STANDARD ROTATION IS CCW FACING END OPPOSITE SHAFT EXTENSION.
 2. MULTIPLE CAPACITORS ARE CONNECTED IN PARALLEL UNLESS OTHERWISE SPECIFIED.
 3. OPTIONAL OIL CAPACITOR IS PROVIDED WHEN SPECIFIED.
 4. CAPACITORS MAY BE SEPERATELY MOUNTED.
 5. LEAD COLORS ARE OPTIONAL. LEADS MUST ALWAYS BE NUMBERED AS SHOWN.

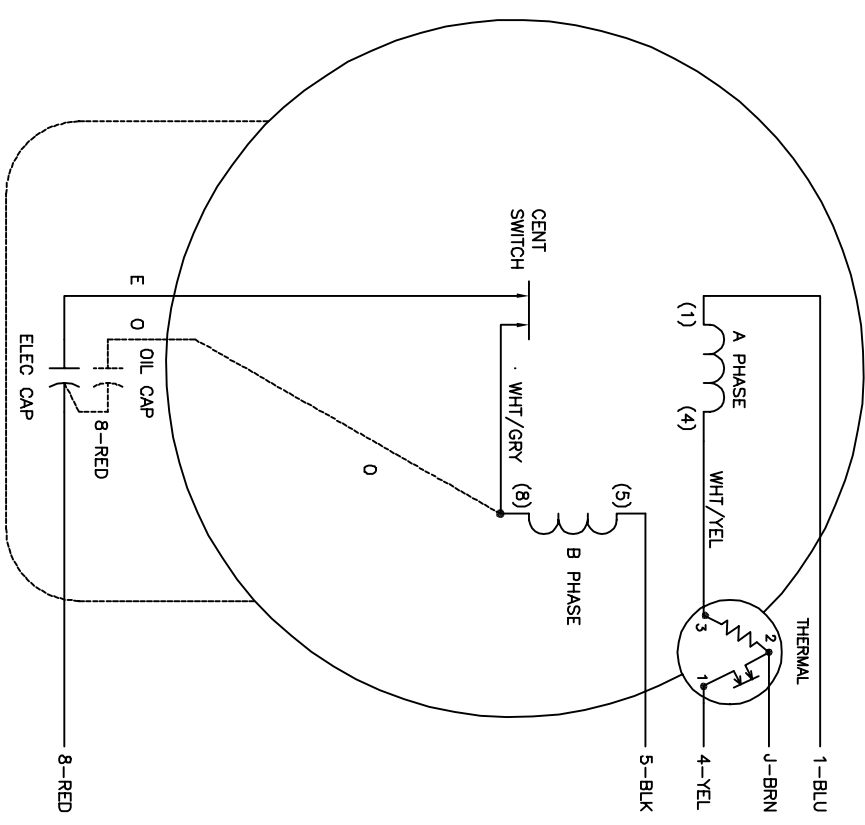
REV. DESC: REMOVE OPTIONAL THERMAL CONNECTION			
REV. LTR: D	VERSION: 01	TDR: 000000373039	
FILE: \AAA\00026\903	REVISED: 11:23:45 08/11/2005		
MTL: -		BY: ENJOEPO	
251003			

BALDOR ELECTRIC Co.

TYPE L OR LC, SV, REV, 5 LDS, THERM, CAPS MAY BE SEP MTD

CD0152

CD0152

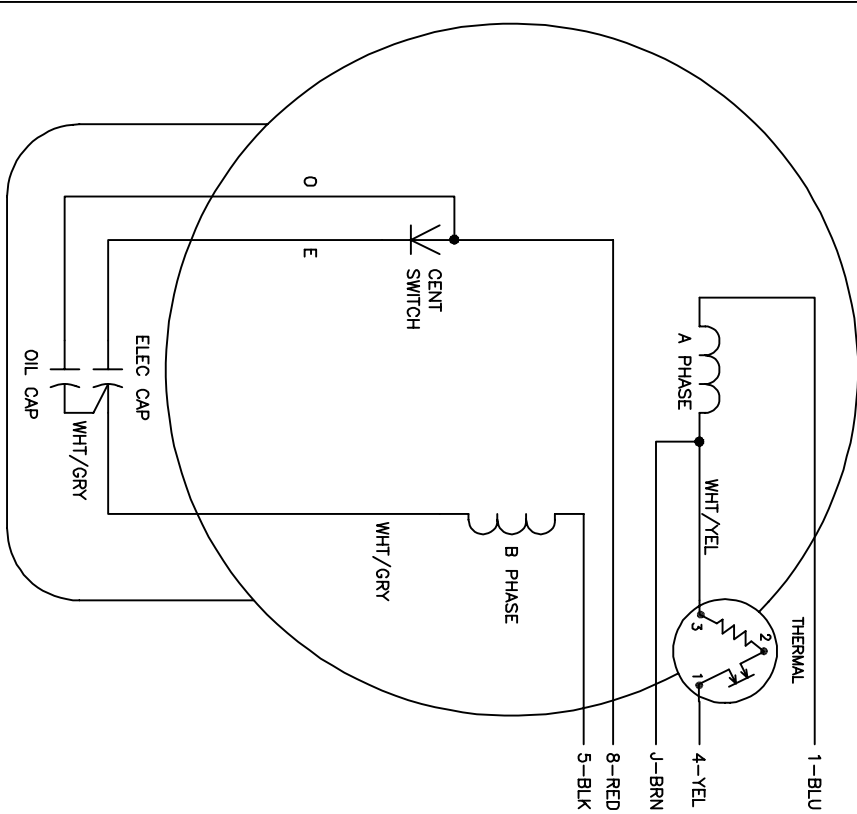


	LINE A	LINE B	JOIN
STD	1,8	4	J,5
OPP	1,5	4	J,8

- NOTES:
1. STANDARD ROTATION IS CCW FACING END OPPOSITE SHAFT EXTENSION.
 2. MULTIPLE CAPACITORS ARE CONNECTED IN PARALLEL UNLESS OTHERWISE SPECIFIED.
 3. OPTIONAL OIL CAPACITOR IS PROVIDED WHEN SPECIFIED.
 4. CAPACITORS MAY BE SEPERATELY MOUNTED.
 5. LEAD COLORS ARE OPTIONAL. LEADS MUST ALWAYS BE NUMBERED AS SHOWN.

REV. DESC: REMOVE OPTIONAL THERMAL CONNECTION			
REV. LTR: D	VERSION: 01	TDR: 000000373039	
FILE: \AAA\00026\903	REVISED: 11:23:45 08/11/2005		
MTL: -		BY: ENJDEPO	
BALDOR ELECTRIC CO.		TYPE L OR LC, SV, REV, 5 LDS, THERM, CAPS MAY BE SEP MTD	
251003			CD0152

CD0774

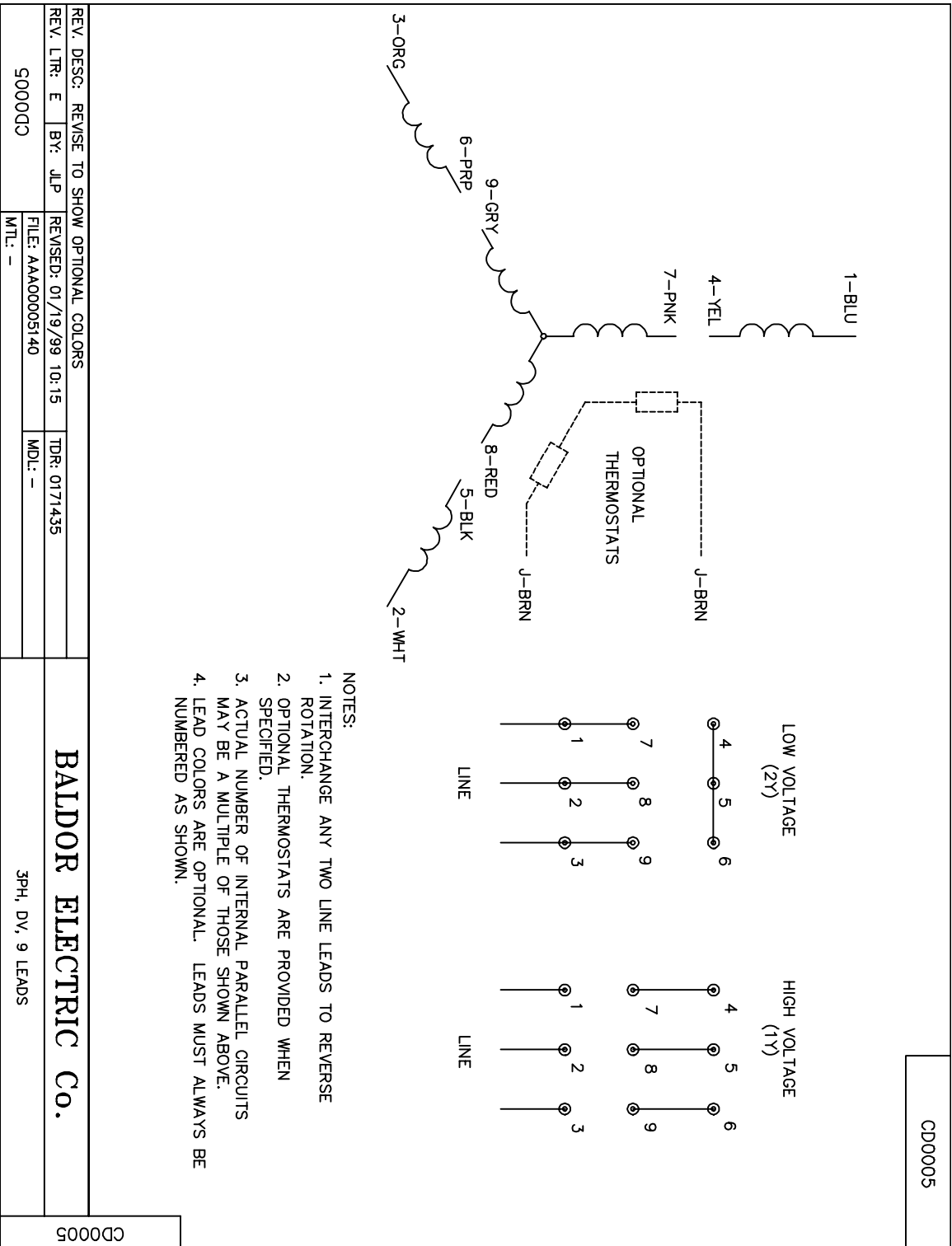


	LINE A	LINE B	JOIN
STD	1,8	4	J,5
OPP	1,5	4	J,8

- NOTES:
1. STANDARD ROTATION IS CCW FACING END OPPOSITE SHAFT EXTENSION.
 2. MULTIPLE CAPACITORS ARE CONNECTED IN PARALLEL UNLESS OTHERWISE SPECIFIED.
 3. LEAD COLORS ARE OPTIONAL. LEADS MUST ALWAYS BE NUMBERED AS SHOWN.

REV. DESC: REVISE TO SHOW OPTIONAL COLORS		BALDOR ELECTRIC Co.	
REV. LTR: B	BY: EAH	REVISED: 05/05/99 9:22	TDR: 0179909
FILE: AAA00007538		MDL: -	
4770DC	MTL: -	TYPE LC, SV, REV, THERMAL, LINE AMPS THRU HEATER, 5 LEADS	

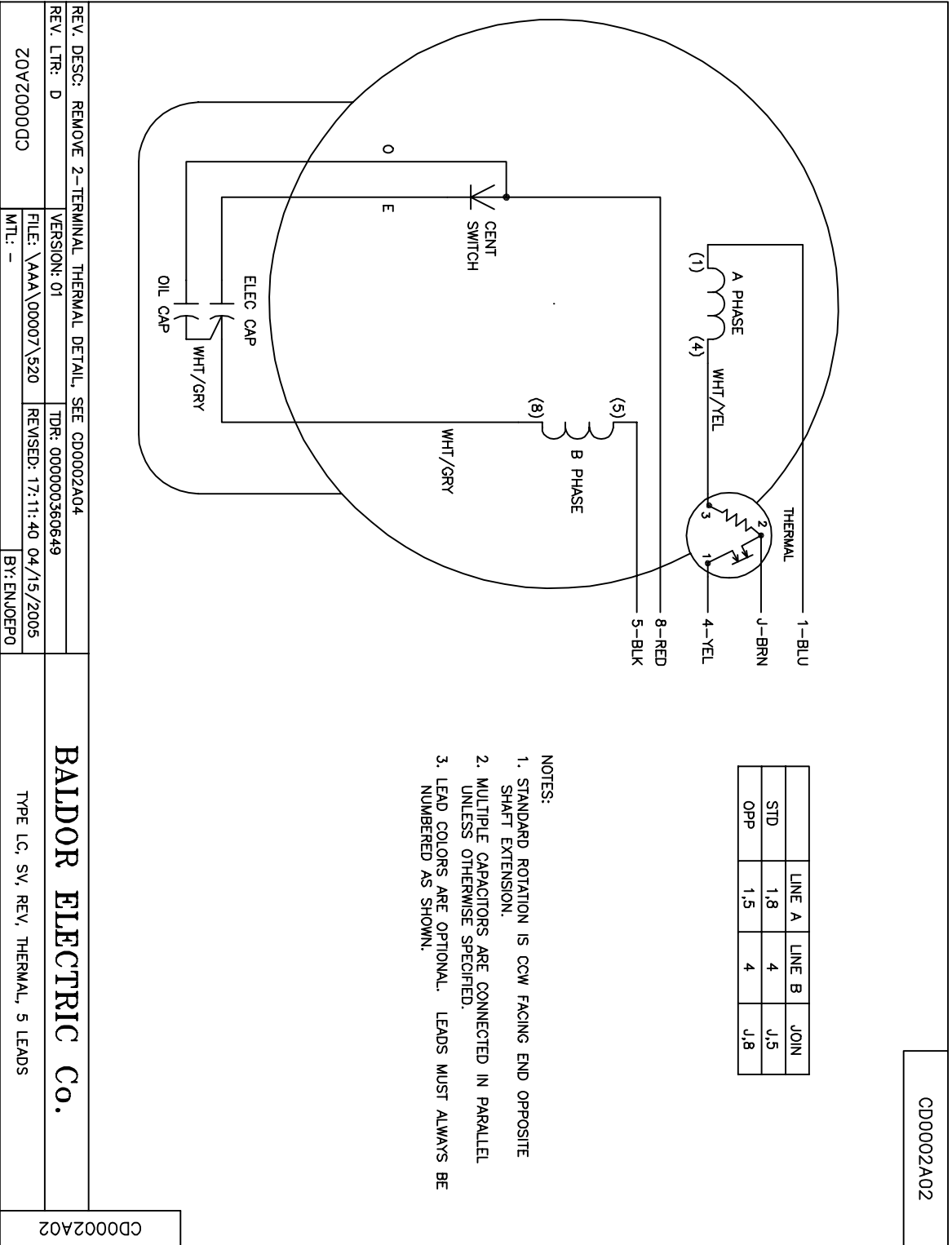
CD0774



REV. DESC: REVISE TO SHOW OPTIONAL COLORS		TDR: 0171435	
REV. LTR: E	BY: JLP	REVISED: 01/19/99 10:15	MDL: -
500000		FILE: AAA00005140	MTL: -

BALDOR ELECTRIC Co.

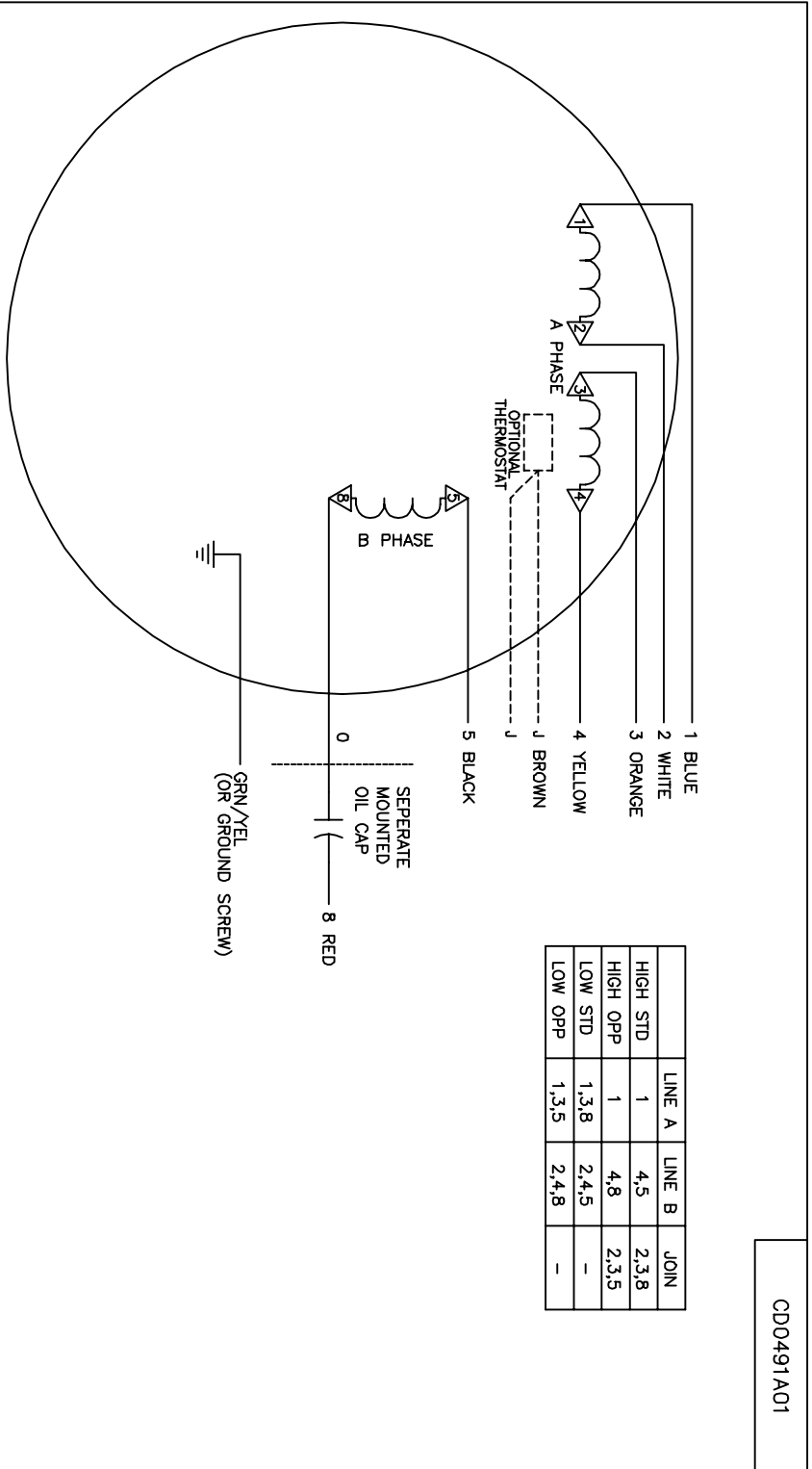
3PH, DY, 9 LEADS



REV. DESC: REMOVE 2-TERMINAL THERMAL DETAIL, SEE CD0002A04	VERSION: 01	TDR: 000000360649
REV. LTR: D	FILE: \AAA\00007\520	REVISED: 17:11:40 04/15/2005
20V2000C0	MTL: -	BY: ENJDEFD

CD0491A01

	LINE A	LINE B	JOIN
HIGH STD	1	4,5	2,3,8
HIGH OPP	1	4,8	2,3,5
LOW STD	1,3,8	2,4,5	-
LOW OPP	1,3,5	2,4,8	-



- NOTES:
1. STANDARD ROTATION IS CCW VIEWING LEAD END.
 2. OPTIONAL THERMOSTAT IS PROVIDED WHEN SPECIFIED.
 3. MULTIPLE CAPACITORS ARE CONNECTED IN PARALLEL UNLESS OTHERWISE SPECIFIED.
 4. LEAD COLORS ARE OPTIONAL. LEADS MUST ALWAYS BE NUMBERED AS SHOWN.
 5. = MAGNET WIRE COIL END WITH I.D. NUMBER.

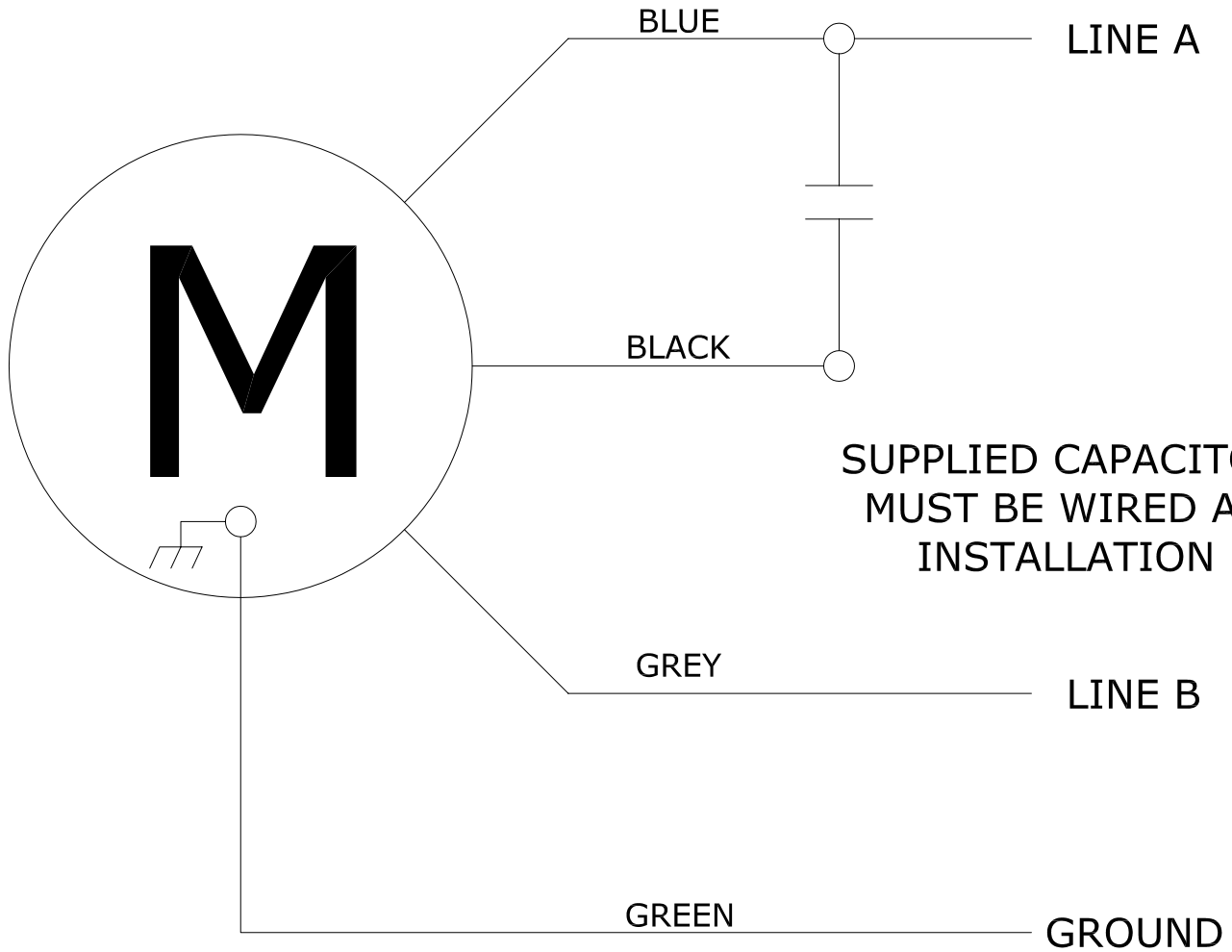
REV. DESC: CHANGE TO CLARKSVILLE STANDARD		TDR: 000000384488		BALDOR ELECTRIC Co.	
REV. LTR: D	VERSION: 03	REVISED: 13:48:58 04/20/2006	BY: CKANTTO		
10V16P00D	FILE: \CKA\00005\827	MTL: -		TYPE C, DV, REV, 6 LD, SEP CAP, CK	

CD0491A01


The Information contained in this drawing is the sole property of SubAir Systems, LLC. Any reproduction in part or as a whole without the written permission of SubAir Systems, LLC is prohibited

BROTHER GEAR MOTOR

115VAC, 1 ϕ



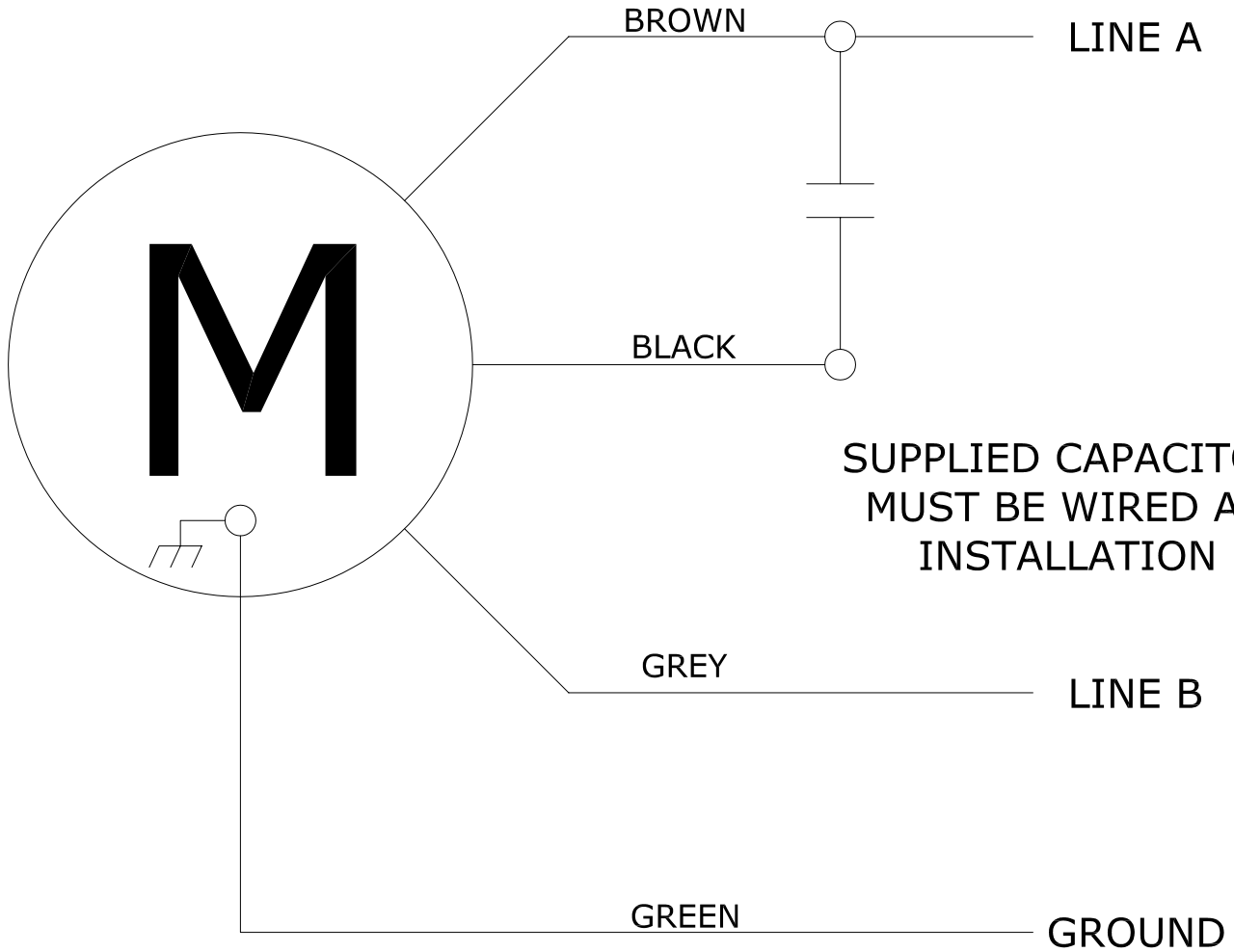
**SUPPLIED CAPACITOR
MUST BE WIRED AT
INSTALLATION**

DRAWN BY: H.MURPHY DATE: 6/05/07 REVISED BY: H.MURPHY DATE: 6/28/07 PRIMARY UNITS: --- SCALE: N/A QTY REQ: (X) MAT'L: ---- FINISH: ----	UNLESS OTHERWISE SPECIFIED MAXIMUM TOLERANCES ARE: FRACTIONAL ± 1/8 DECIMAL .XX ± .01 .XXX ± .005	 510 Bettis Academy Rd Graniteville, SC 29829 (803) 641-6663 Title: BROTHER GEAR MOTOR WIRING --- Dwg No. ###
---	--	--


The information contained in this drawing is the sole property of SubAir Systems, LLC. Any reproduction in part or as a whole without the written permission of SubAir Systems, LLC is prohibited.

BROTHER GEAR MOTOR

230VAC, 1 ϕ



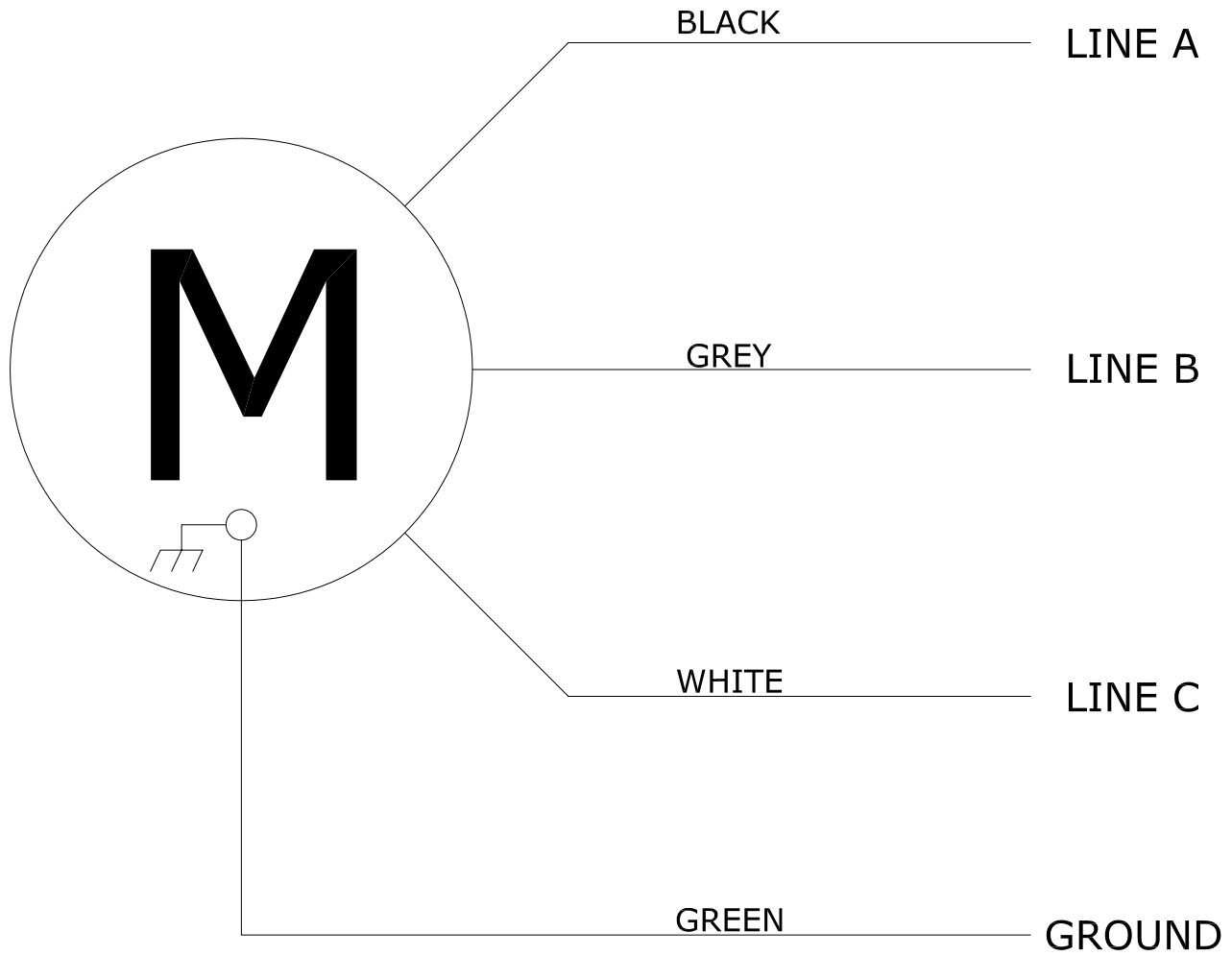
**SUPPLIED CAPACITOR
MUST BE WIRED AT
INSTALLATION**


DRAWN BY: H.MURPHY DATE: 6/05/07 REVISED BY: H.MURPHY DATE: 6/28/07 PRIMARY UNITS: --- SCALE: N/A QTY REQ: (X) MAT'L: ---- FINISH: ----	UNLESS OTHERWISE SPECIFIED MAXIMUM TOLERANCES ARE: FRACTIONAL ± 1/8 DECIMAL .XX ± .01 .XXX ± .005	 510 Bettis Academy Rd Graniteville, SC 29829 (803) 641-6663 Title: BROTHER GEAR MOTOR WIRING --- Dwg No. ###
---	--	--

The information contained in this drawing is the sole property of SubAir Systems, LLC. Any reproduction in part or as a whole without the written permission of SubAir Systems, LLC is prohibited.

BROTHER GEAR MOTOR

208-230VAC, 3 ϕ

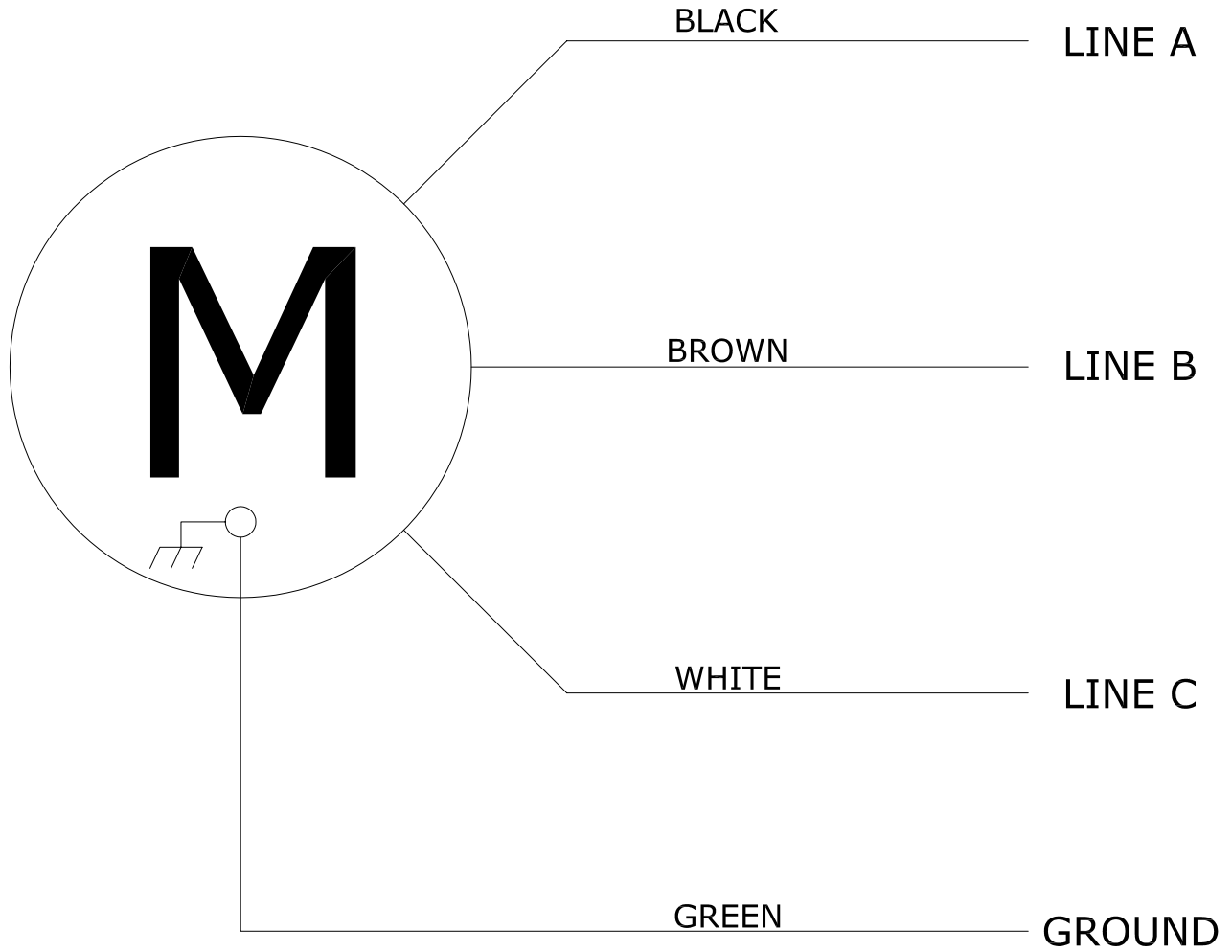


DRAWN BY: H.MURPHY DATE: 6/05/07 REVISED BY: H.MURPHY DATE: 6/28/07 PRIMARY UNITS: --- SCALE: N/A QTY REQ: (X) MAT'L: ---- FINISH: ----	UNLESS OTHERWISE SPECIFIED MAXIMUM TOLERANCES ARE: FRACTIONAL ± 1/8 DECIMAL .XX ± .01 .XXX ± .005	 510 Bettis Academy Rd Graniteville, SC 29829 (803) 641-6663 Title: BROTHER GEAR MOTOR WIRING --- Dwg No. ###
---	--	--

The information contained in this drawing is the sole property of SubAir Systems, LLC. Any reproduction in part or as a whole without the written permission of SubAir Systems, LLC is prohibited.

BROTHER GEAR MOTOR

460VAC, 3 ϕ



DRAWN BY: H.MURPHY
 DATE: 6/05/07
 REVISED BY: Name
 DATE: --/--/--
 PRIMARY UNITS: ---
 SCALE: N/A
 QTY REQ: (X)
 MAT'L: ----
 FINISH: ----

UNLESS OTHERWISE
 SPECIFIED MAXIMUM
 TOLERANCES ARE:
 FRACTIONAL
 ± 1/8
 DECIMAL
 .XX ± .01
 .XXX ± .005



510 Bettis Academy Rd
 Graniteville, SC 29829
 (803) 641-6663

Title: BROTHER GEAR MOTOR WIRING
 Dwg No. ###